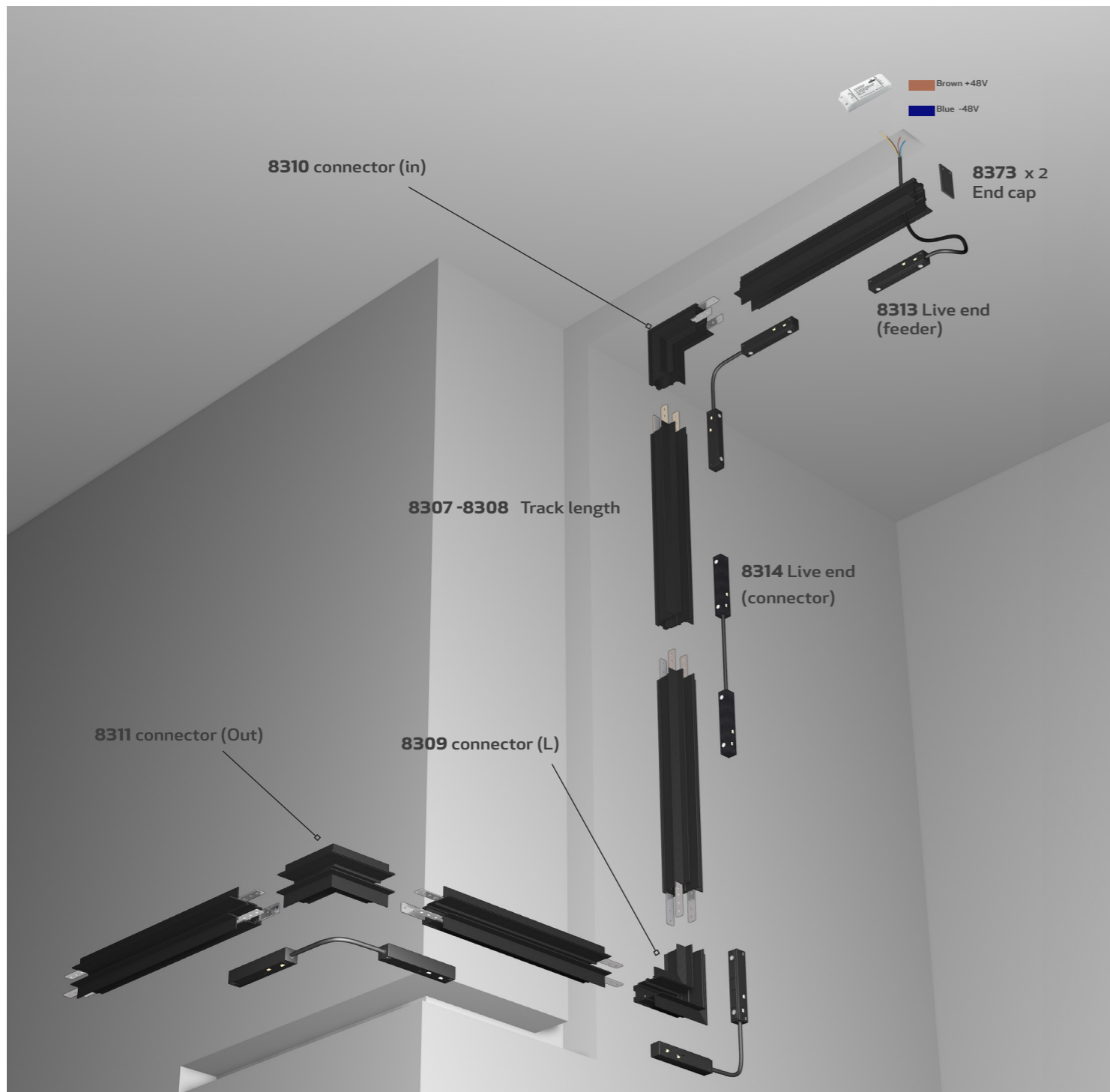




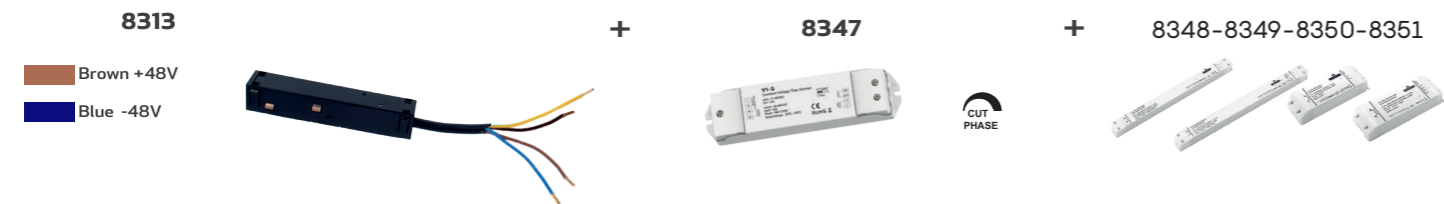
# MAGNETO

INSTRUCCIONES-*INSTRUCTIONS*

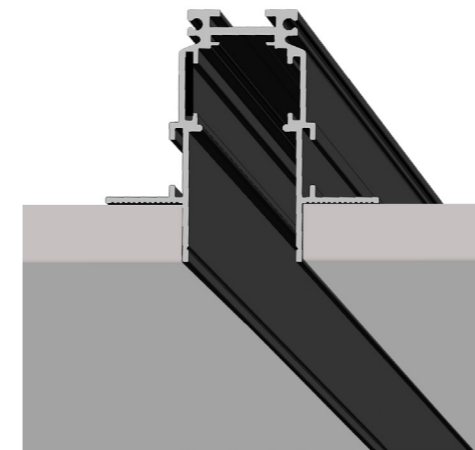
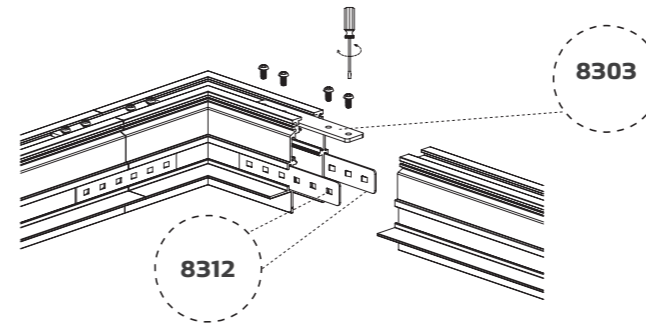
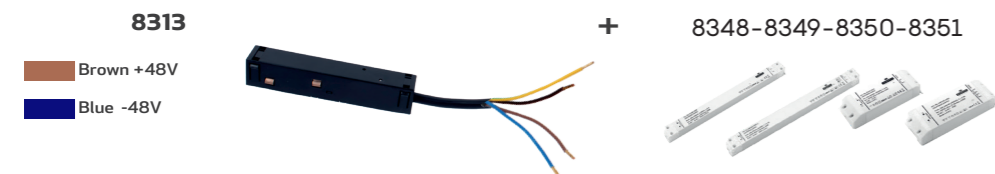
# Carril de empotrar-*Recessed track*



## REGULABLE/DIMMABLE

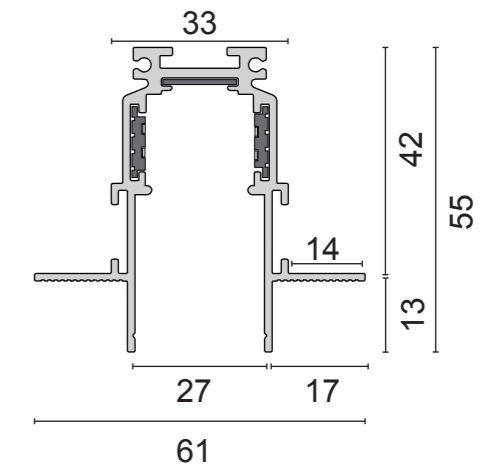


## NO REGULABLE/NO DIMMABLE

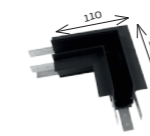


**8307**  
Track length 1000 mm

**8308**  
Track length 2000 mm



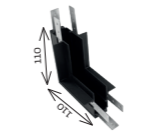
**8309**  
L-joint 90° plates incl.



**8313**  
Live end (feeder)



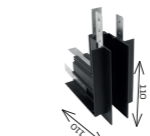
**8310**  
Wall to wall connector (in) plates incl.



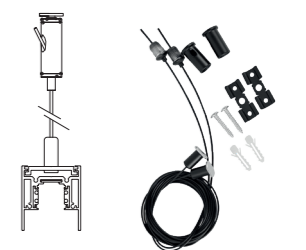
**8314**  
Live end (connector)



**8311**  
Wall to wall connector (out) plates incl.



**8377**  
Suspension kits (2 wires)



**8303**  
Top track connection plate



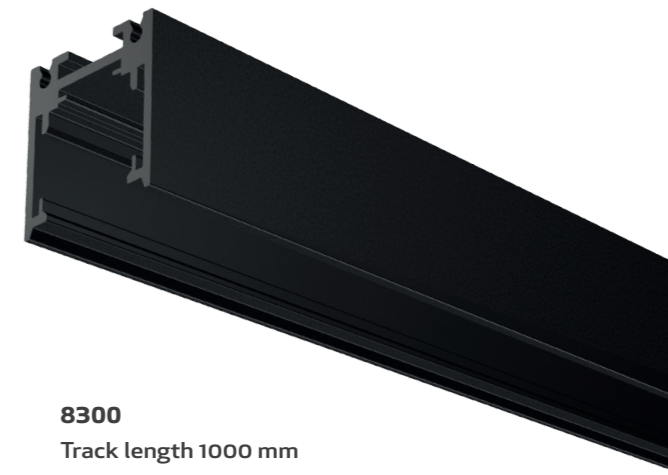
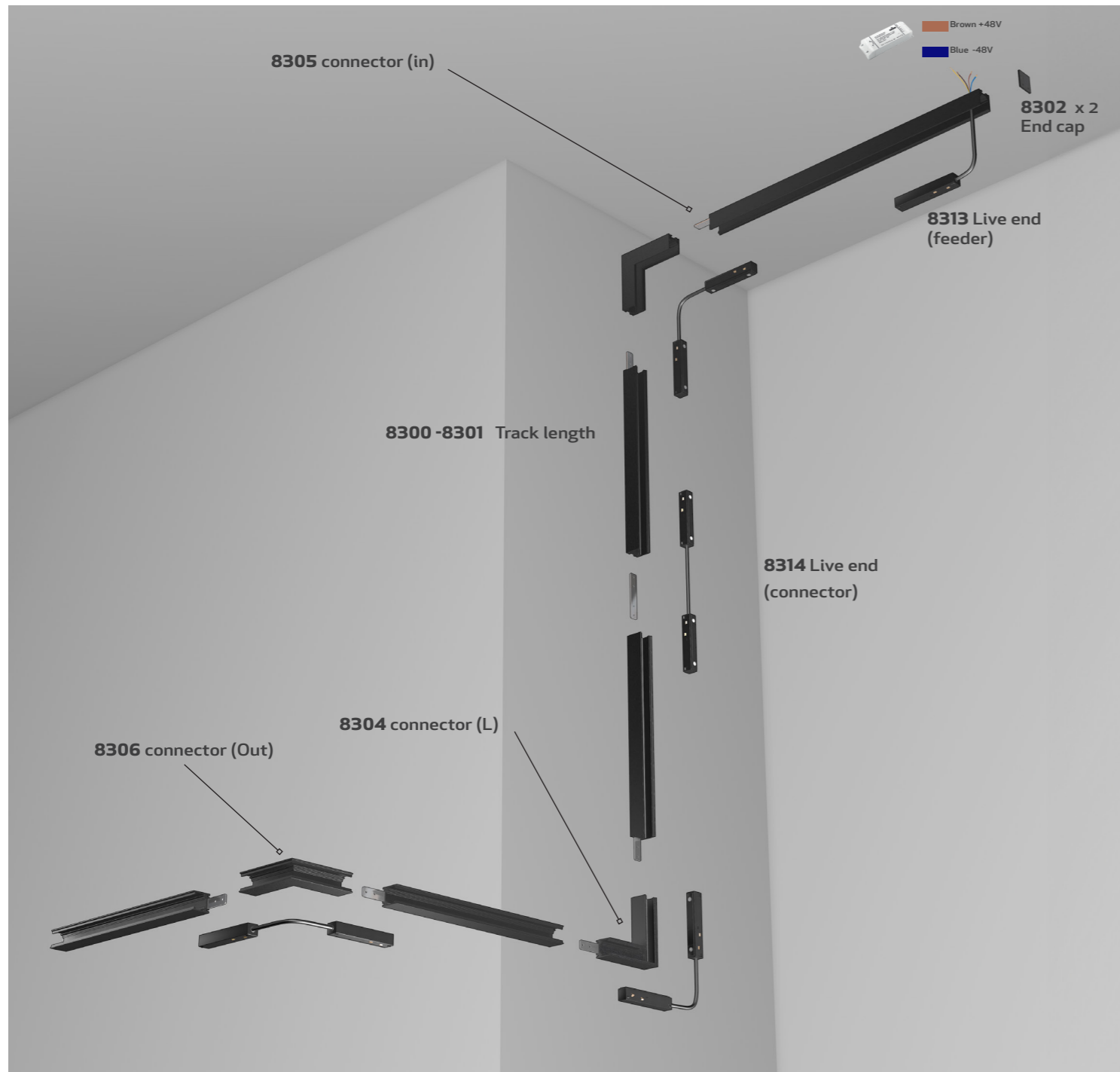
**8312**  
Side track connection plate x2



**8373**  
Set 2 end caps

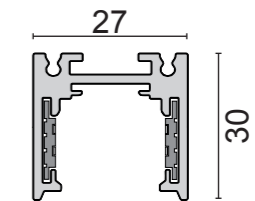
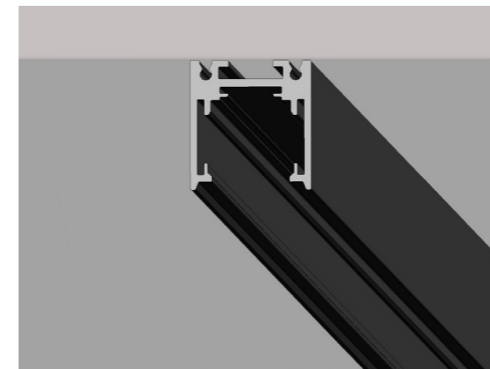
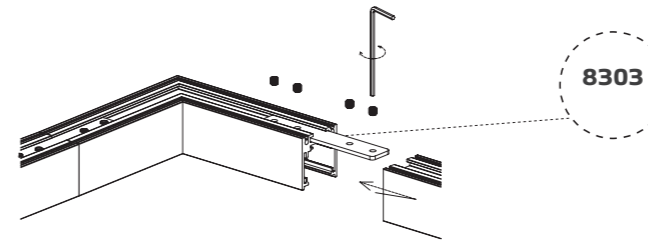


# Carril de superficie-Surface mounted track

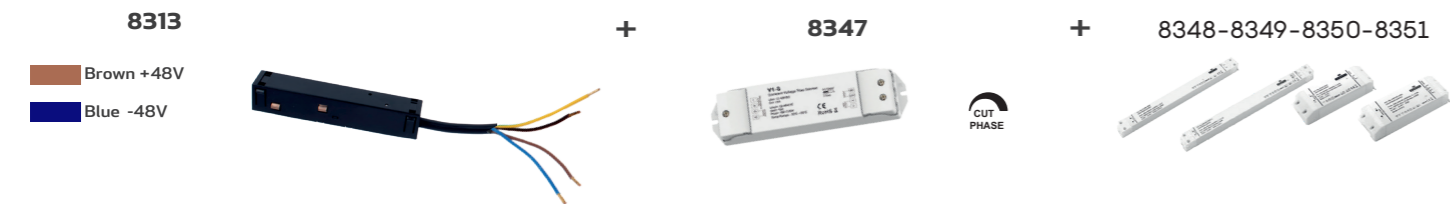


**8300**  
Track length 1000 mm

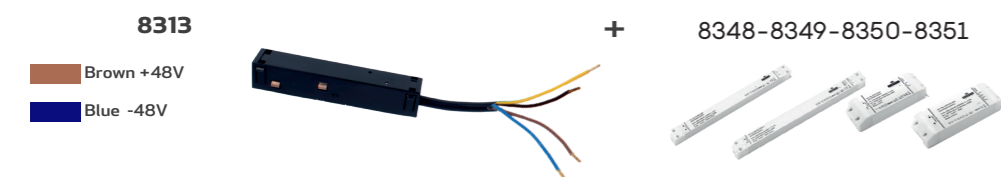
**8301**  
Track length 2000 mm



## REGULABLE/DIMMABLE



## NO REGULABLE/NO DIMMABLE



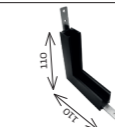
**8304**  
L-joint 90° plates incl.



**8313**  
Live end (feeder)



**8305**  
Wall to wall connector (in) plates incl.



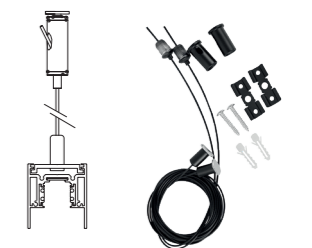
**8314**  
Live end (connector)



**8306**  
Wall to wall connector (out) plates incl.



**8377**  
Suspension kits (2 wires)



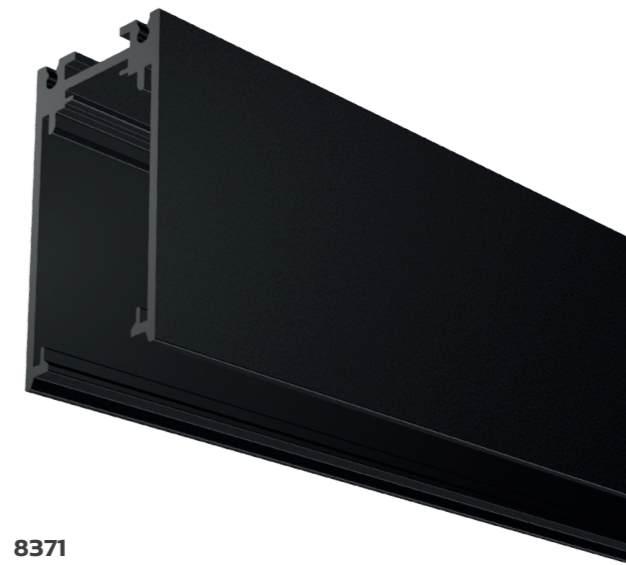
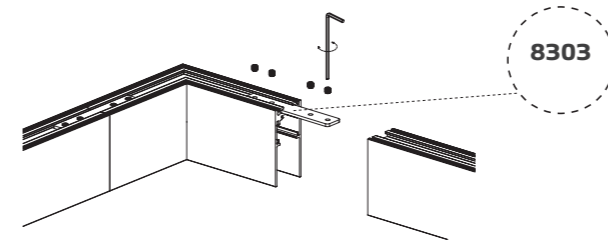
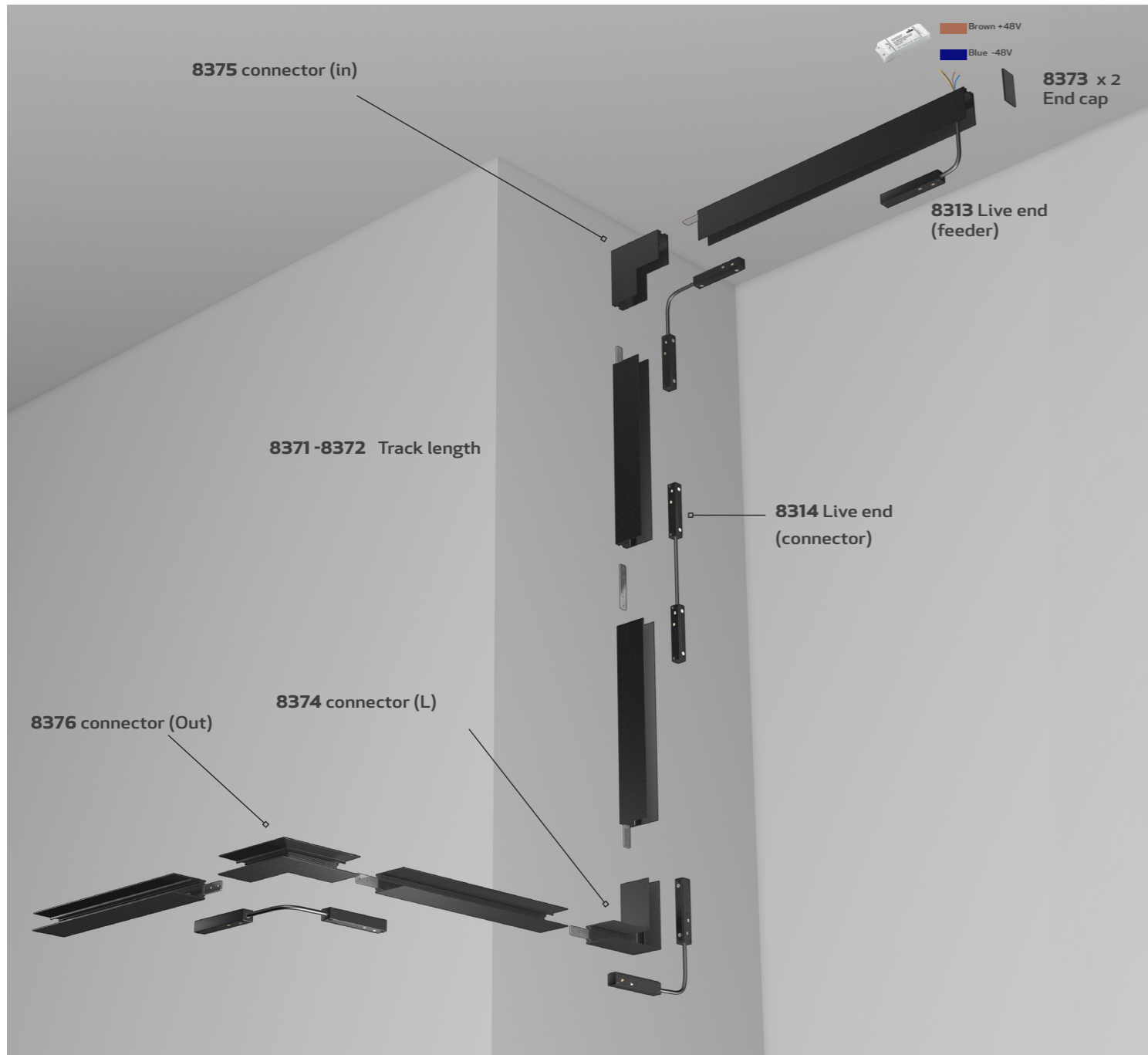
**8303**  
Top track connection plate



**8302**  
Set 2 end caps

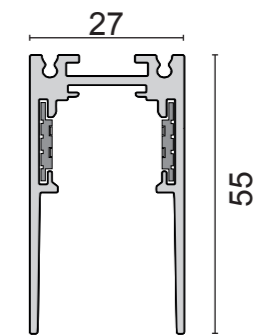
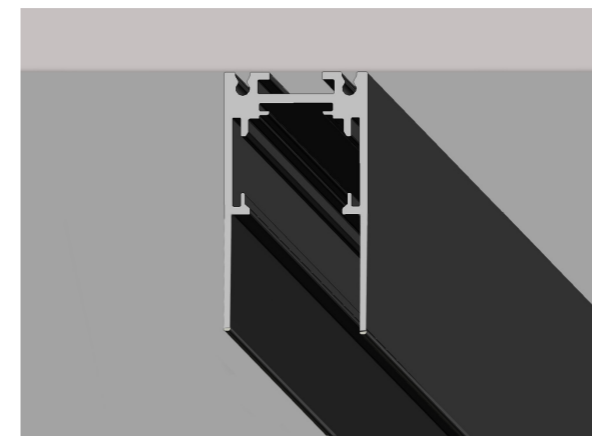


# Carril de superficie-Surface mounted track



**8371**  
Track length 1000 mm

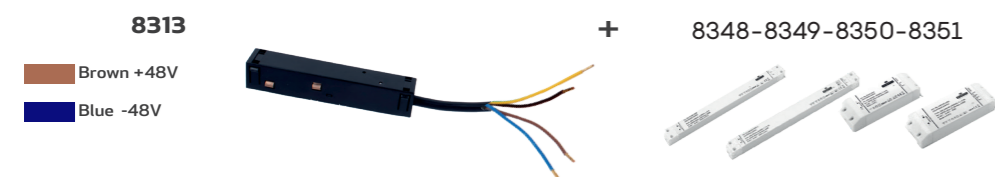
**8372**  
Track length 2000 mm



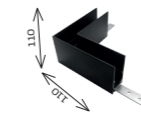
## REGULABLE/DIMMABLE



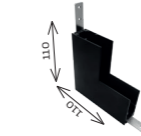
## NO REGULABLE/NO DIMMABLE



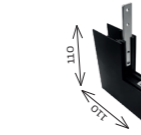
**8374**  
L-joint 90° plates incl.



**8375**  
Wall to wall connector (in) plates incl.



**8376**  
Wall to wall connector (out) plates incl.



**8303**  
Top track connection plate



**8373**  
Set 2 end caps



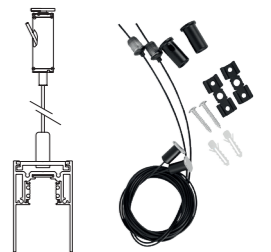
**8313**  
Live end (feeder)



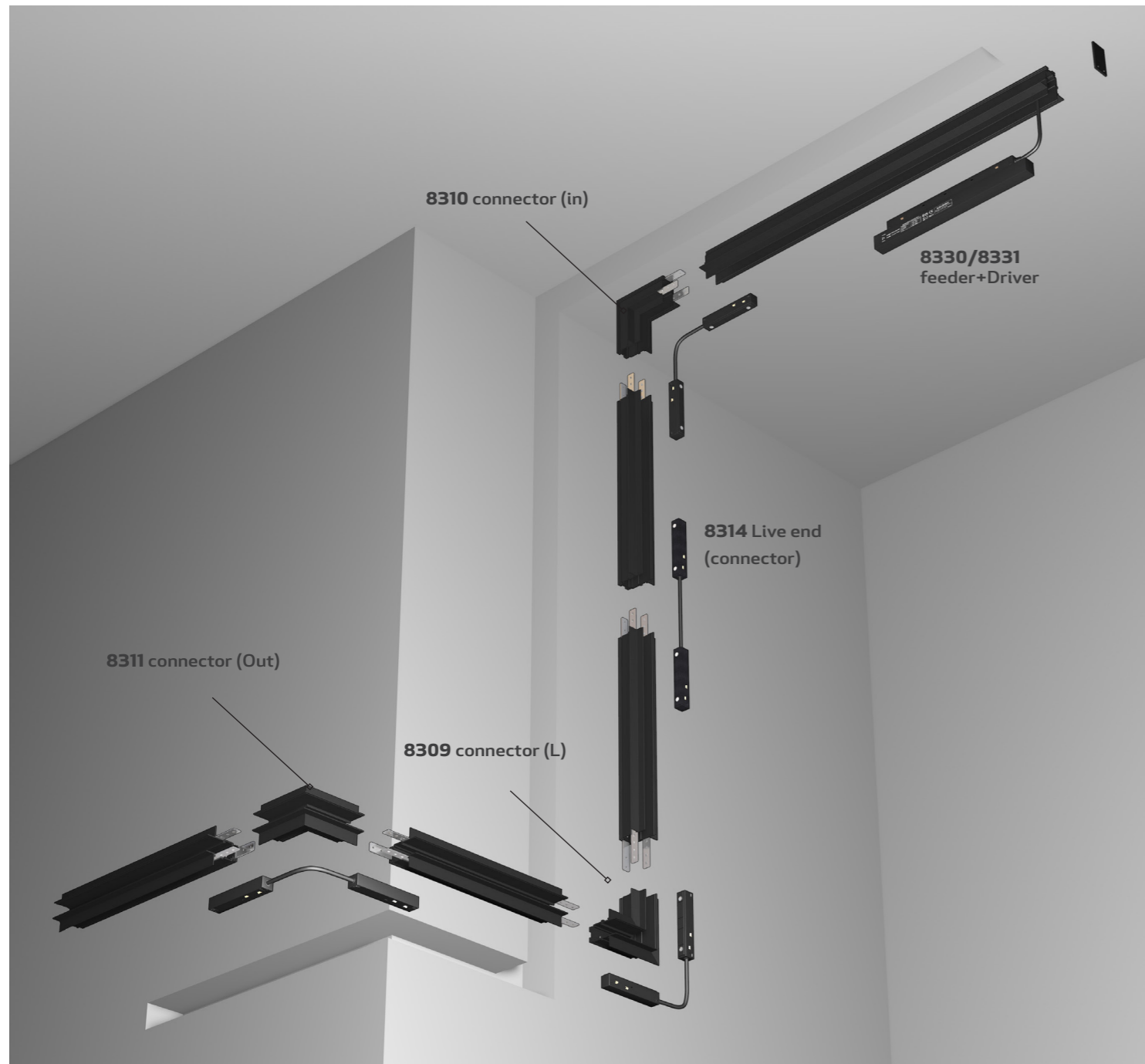
**8314**  
Live end (connector)



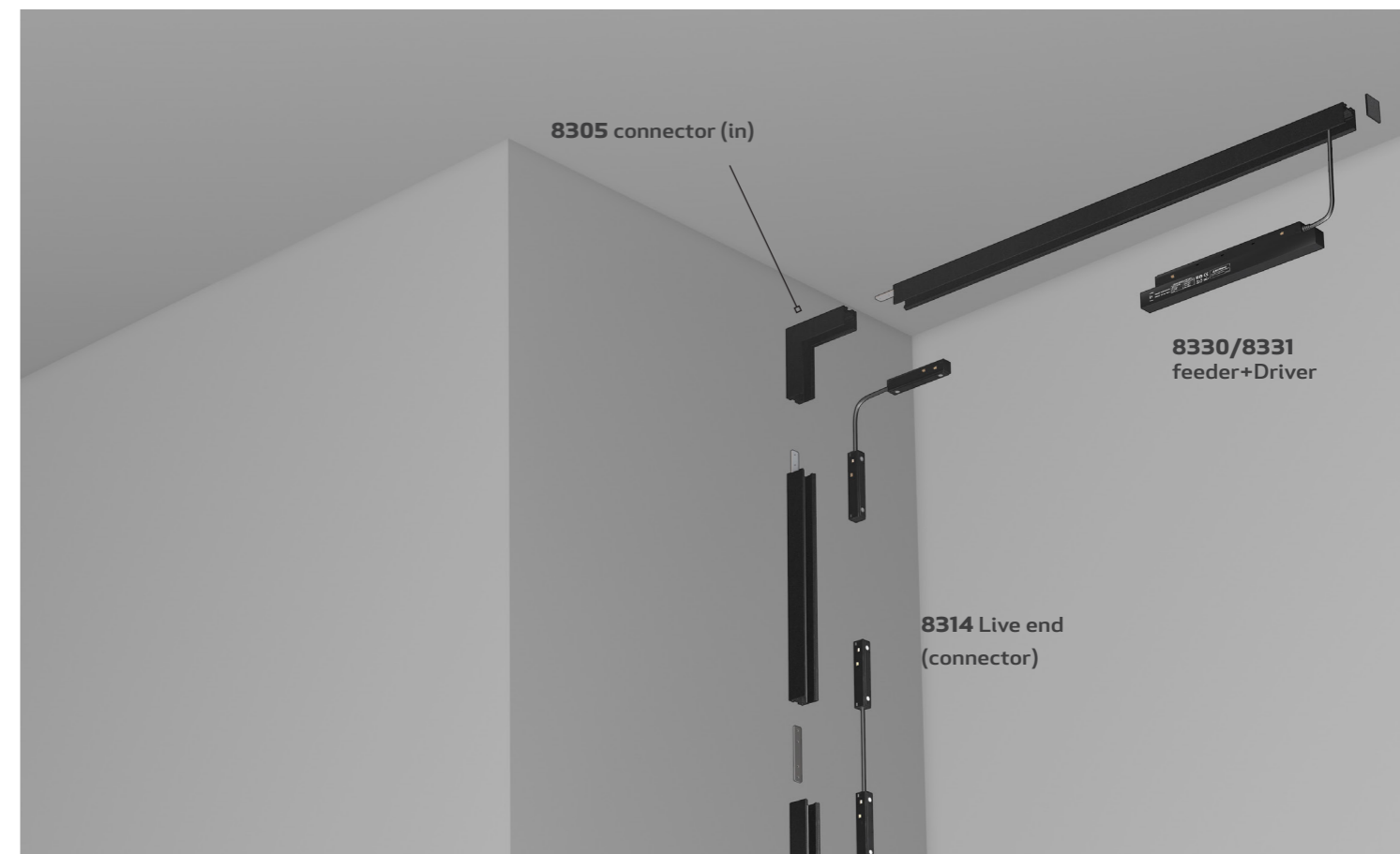
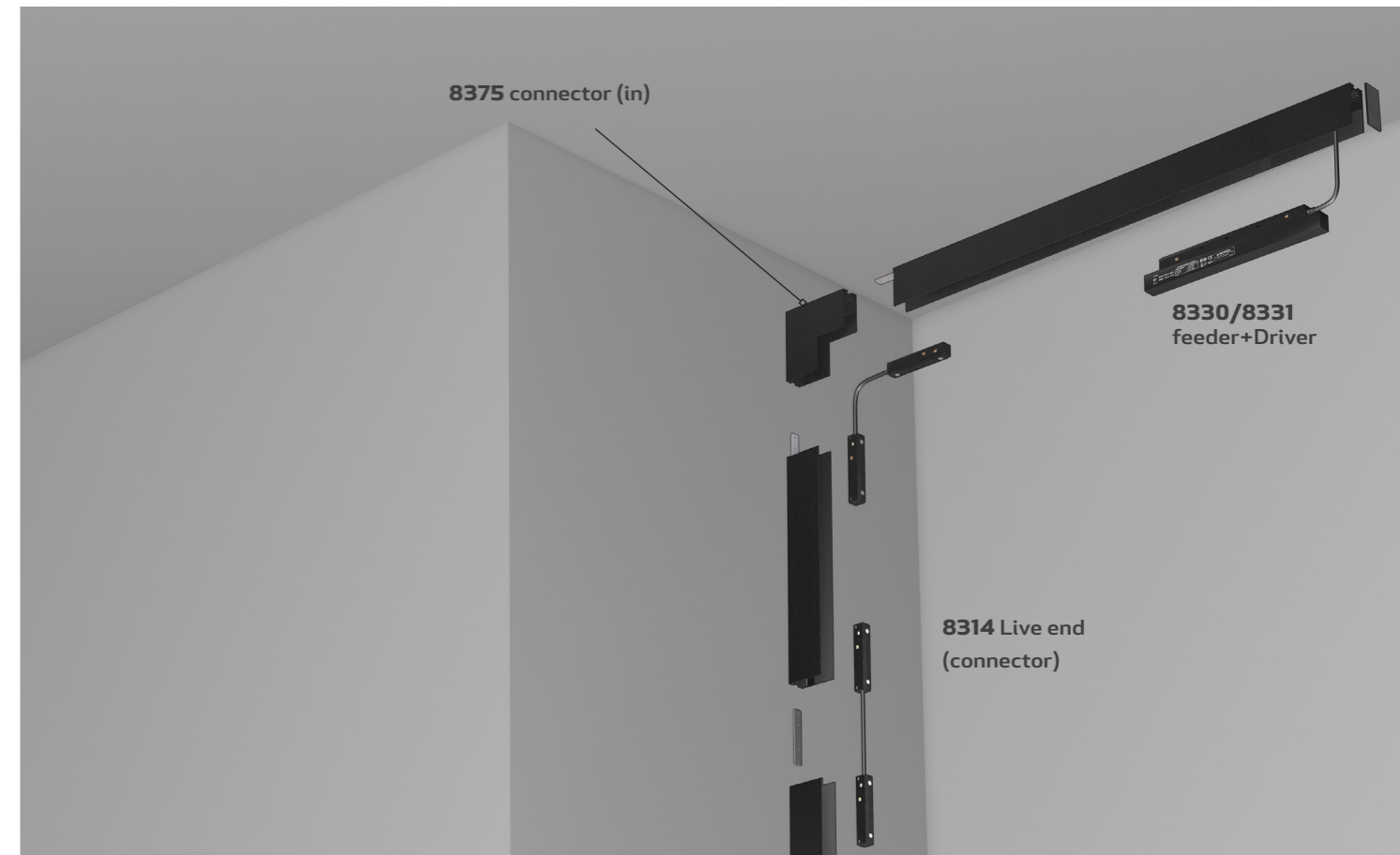
**8377**  
Suspension kits (2 wires)



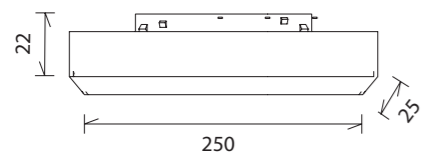
## Carril de empotrar-*Recessed track*



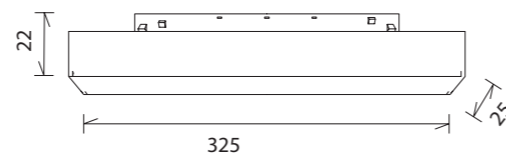
## Carril de superficie-*Surface mounted track*



8330

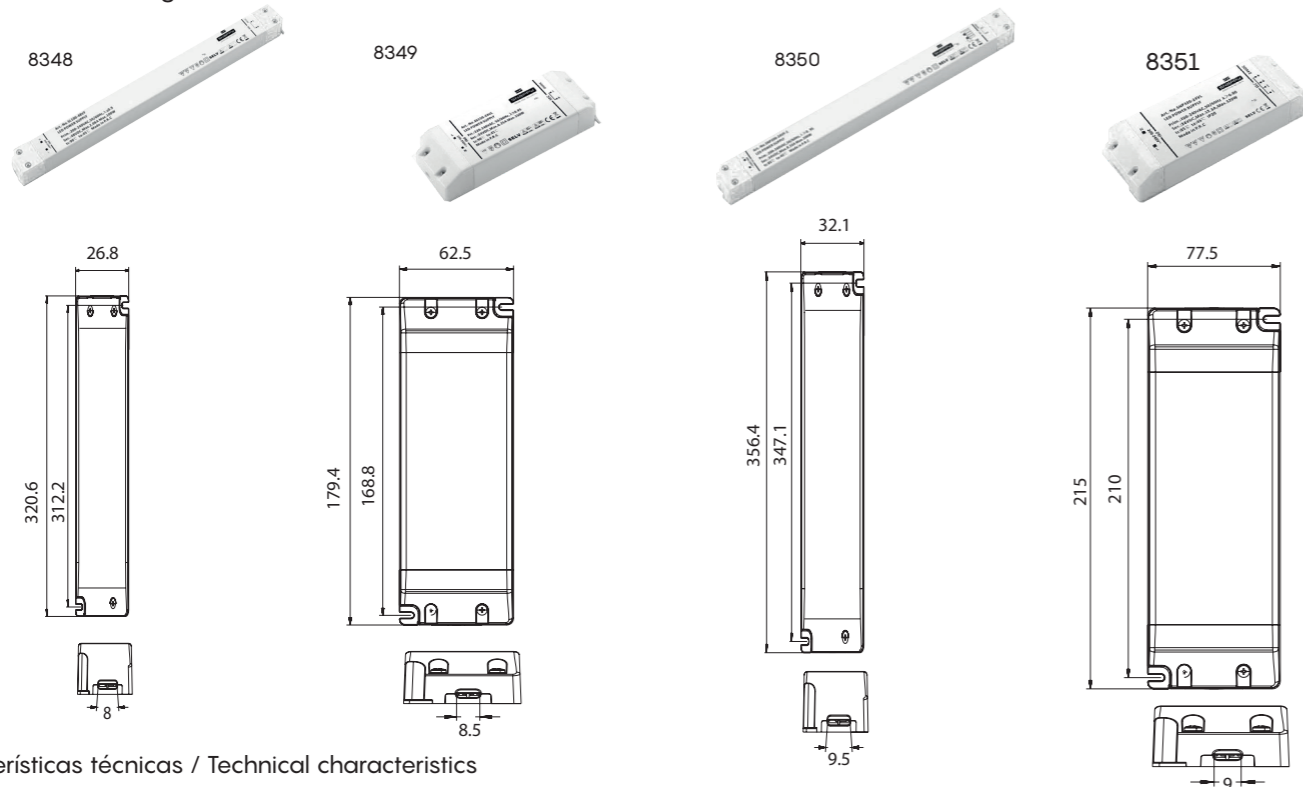


8331



# Alimentadores ocultos-Driver hidden

Tension constante 48v  
48v Constant voltage



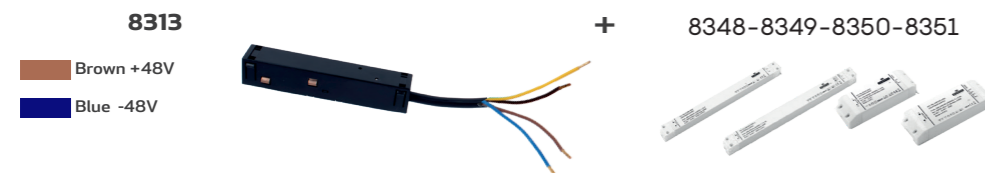
Características técnicas / Technical characteristics

Ref.	Art.-No	Tensión nominal de entrada Nominal input voltage	Rango de potencia en módulo Output power range	Tensión de salida DC Output voltage DC	Corriente de salida máxima Maximum output current	Factor de potencia Power factor	Frecuencia Frequency	Temp. máx. envolvente Max temp.at tc point	Temp. funcionamiento Operating temp.	Protección Protection
		Vac	W	Vdc	A	$\lambda$	Hz	tc (°C)	ta (°C)	IP
8348	SL100-48VF-1	200-240V	0-100	48	2.05	$\geq 0,95$	50/60	90°	-20...+45°	20
8349	SS150-48VL	200-240V	0-150	48	3.12	$\geq 0,95$	50/60	90°	-20...+45°	20
8350	SL240-48VF	220-240V	0-240	48	5.00	$\geq 0,95$	50/60	90°	-20...+45°	20
8351	SNP320-48VL-1	220-240V	0-320	48	6.67	$\geq 0,95$	50/60	90°	-20...+45°	20

REGULABLE/DIMMABLE



NO REGULABLE/NO DIMMABLE

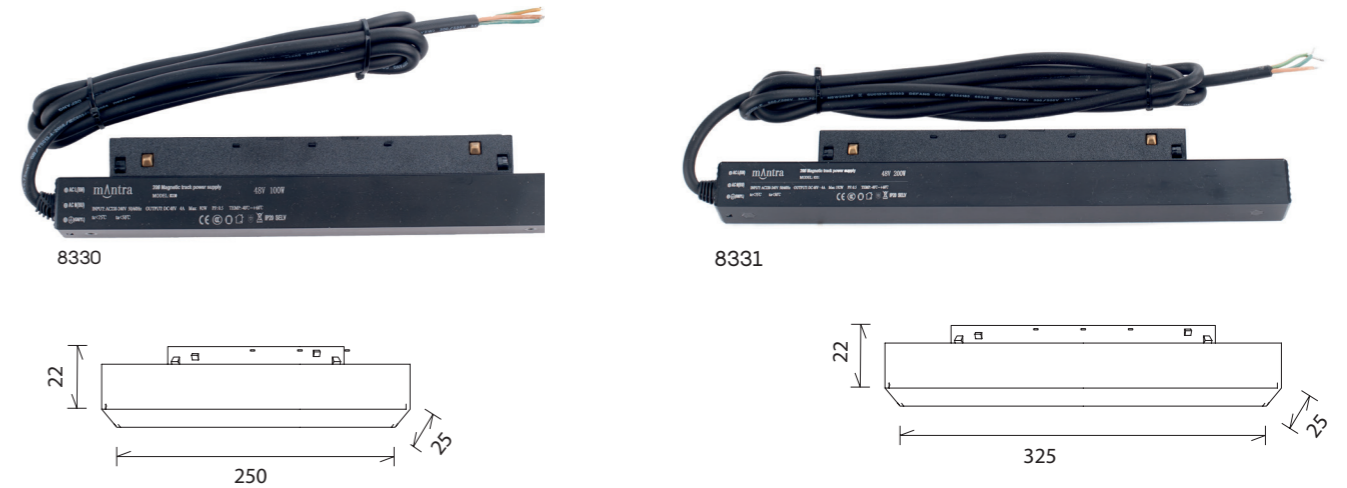


# Alimentador en carril-Driver in track

Tension constante 48v  
48v Constant voltage



NO DIMMABLES



Características técnicas / Technical characteristics

**NO DIMMABLES**


Ref.	Art.-No	Tensión nominal de entrada Nominal input voltage	Rango de potencia en módulo Output power range	Tensión de salida DC Output voltage DC	Corriente de salida máxima Maximum output current	Factor de potencia Power factor	Frecuencia Frequency	Temp. máx. envolvente Max temp.at tc point	Temp. funciona- miento Operating temp.	Protección Protection
		Vac	W	Vdc	A	$\lambda$	Hz	tc (°C)	ta (°C)	IP
8330		220-240V	0-100	48	1.25	$\geq 0,95$	50/60	85°	-20...+45°	20
8331		200-240V	0-200	48	2.5	$\geq 0,7$	50/60	80°	-20...+50°	20



## INDEX

Carril de empotrar- <i>Recessed track</i> Alimentador oculto- <i>Driver hidden</i> .....	02
Carril de superficie- <i>Surface mounted track</i> Alimentador oculto- <i>Driver hidden</i> .....	04
Carril de superficie- <i>Surface mounted track</i> Alimentador oculto- <i>Driver hidden</i> .....	06
Carril de empotrar- <i>Recessed track</i> Alimentador en carril- <i>Driver in track</i> .....	08
Carril de superficie- <i>Surface mounted track</i> Alimentador en carril- <i>Driver in track</i> .....	09
Carril de superficie- <i>Surface mounted track</i> Alimentador en carril- <i>Driver in track</i> .....	09
<i>Alimentador oculto-Driver hidden</i> .....	10
<i>Alimentador en carril-Driver in track</i> .....	11



MODO DE USO 

### MANTRA

Pol. Ind. Los Vientos  
Calle Alisio, parcela nº4  
46119 Náquera · Valencia · Spain

### Depto. Nacional

Tel. +34 96 160 99 50  
mar@mantraco.org

### Depto. Internacional

Tel. +34 96 160 99 50  
nacho@mantraco.org

### Product Manager

Tel. +34 96 160 99 50  
vmoya@mantraco.org

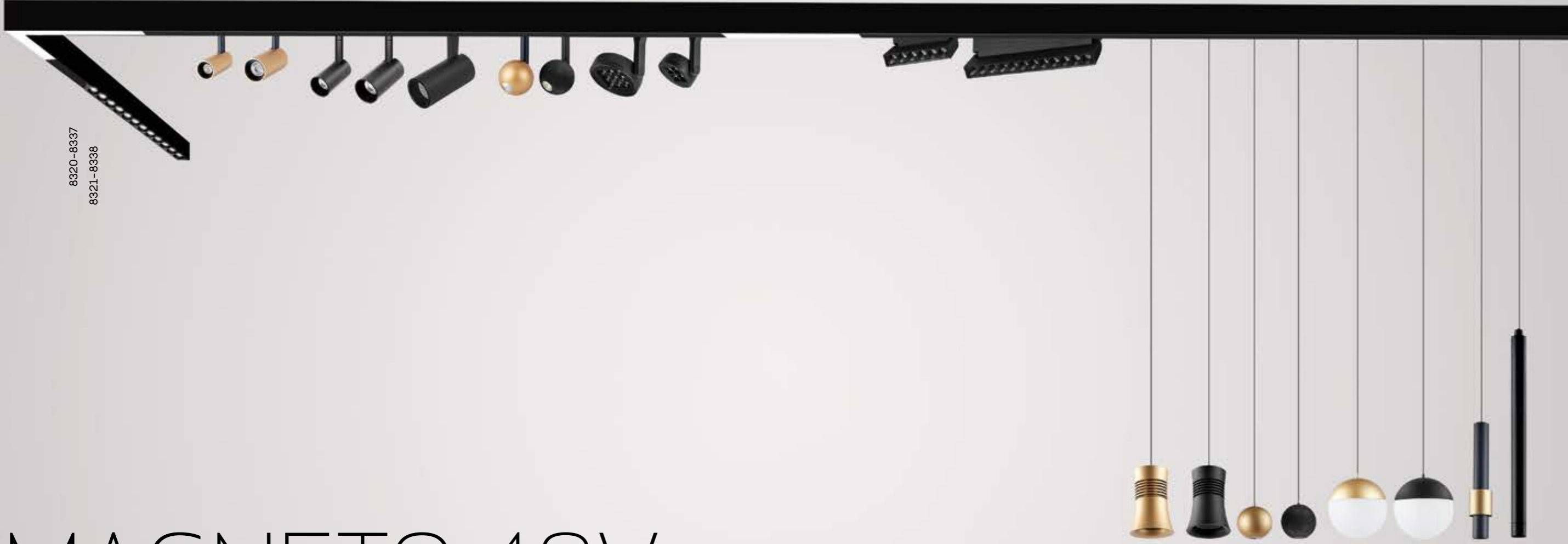
# MAGNETO 48V



MODO DE USO

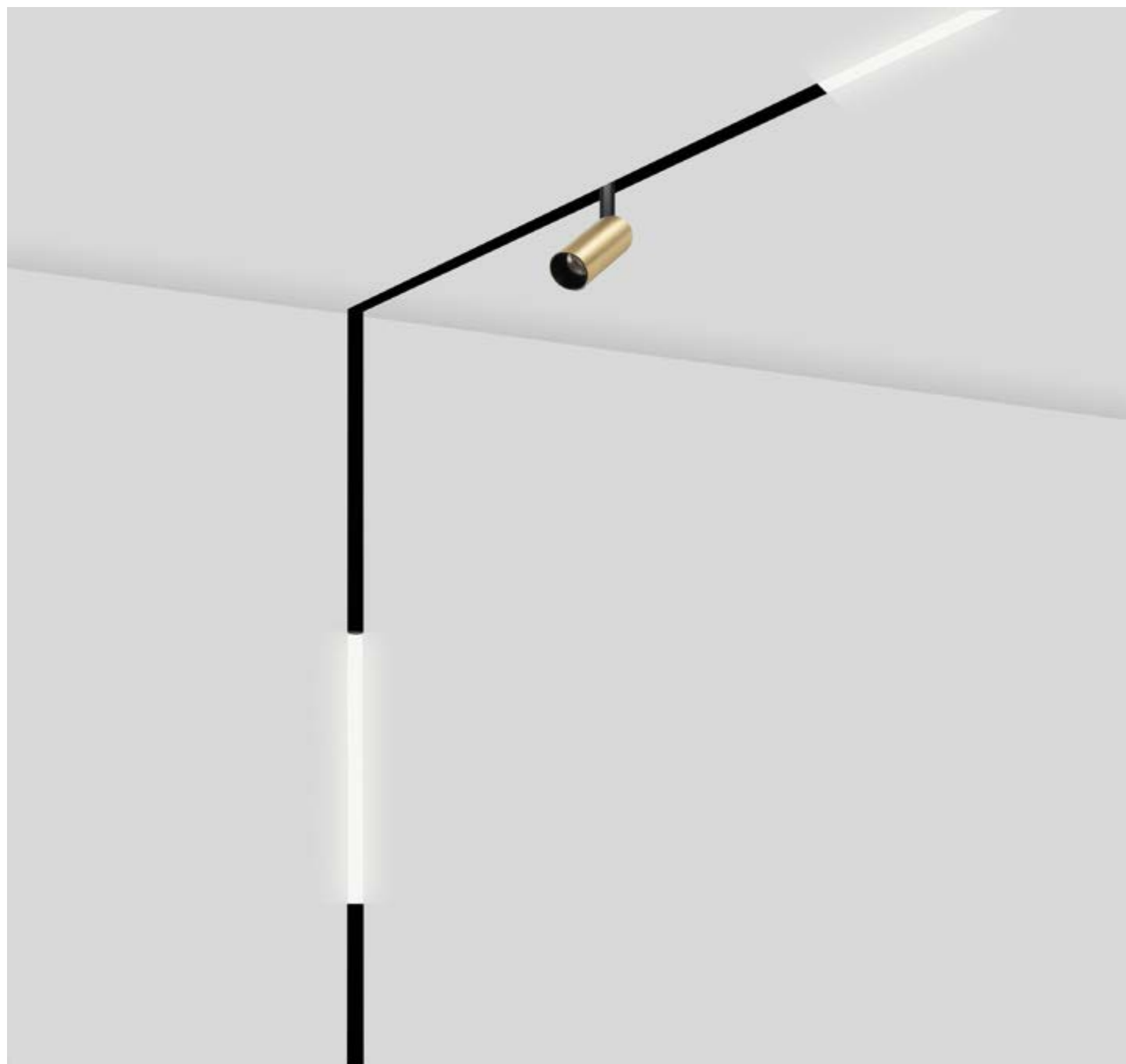
8320-8337  
8321-8338

- 8322-8339
- 8381-8385
- 8382-8386
- 8315-8332
- 8316-8333
- 8317-8334
- 8384-8388
- 8328-8345
- 8326-8343
- 8325-8342
- 8318-8335
- 8319-8336
- 8323-8340
- 8324-8341
- 8390-8392
- 8389-8391
- 8383-8387
- 8327-8344
- 8442-8444
- 8441-8443
- 8445-8446
- 8329-8346



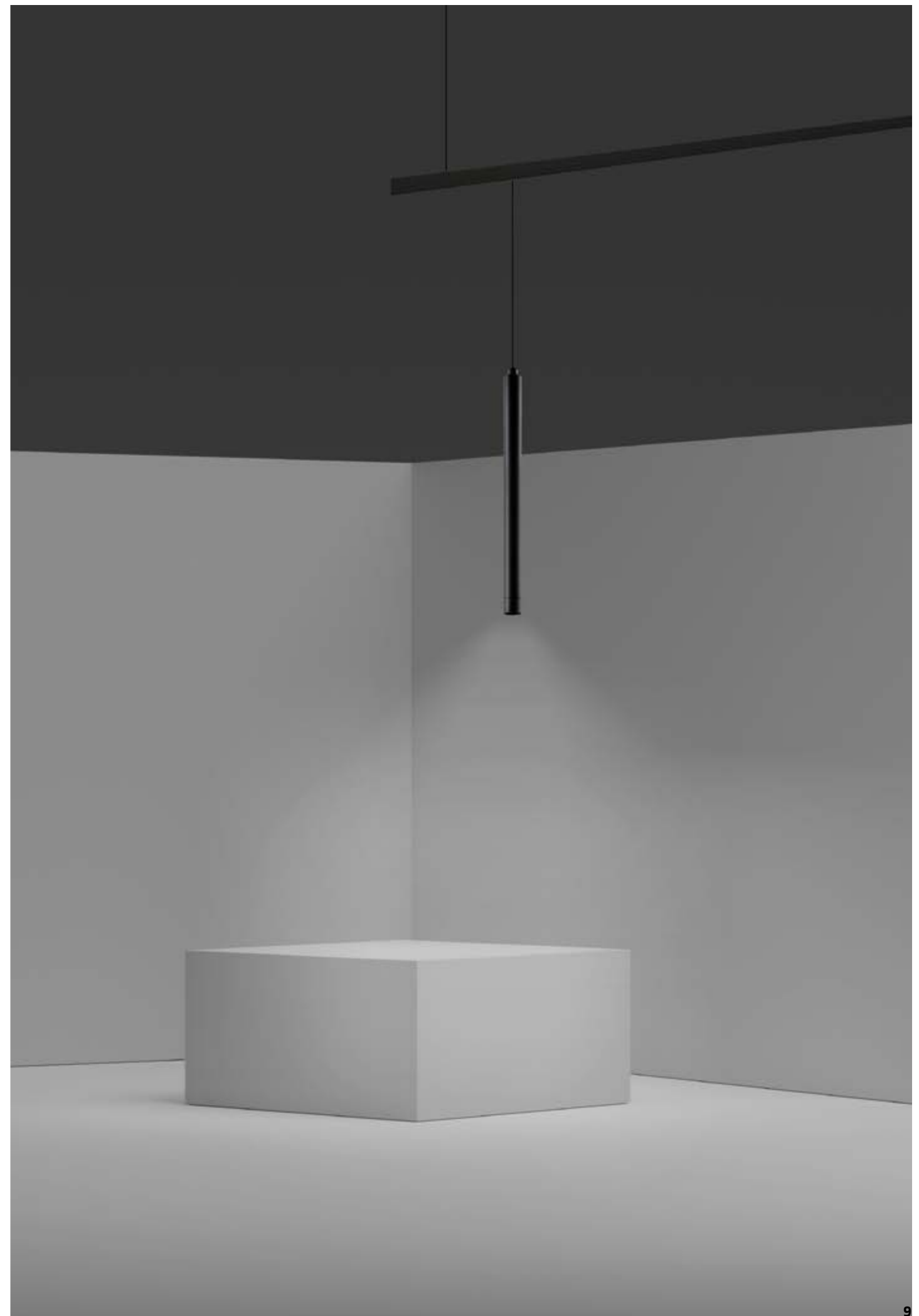


**MAGNETO**  
**48V**



MODO DE USO

**MAGNETO**  
**48V**



**MAGNETO**  
**48V**



MODO DE USO 

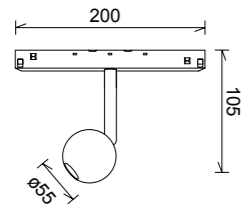




**MAGNETO**  
**48V**

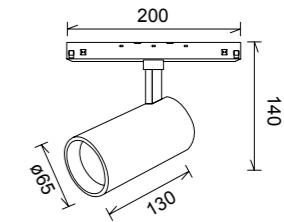
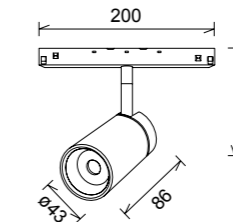
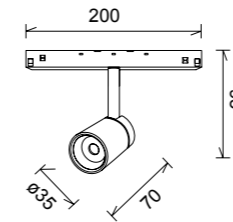








# MAGNETO 48V



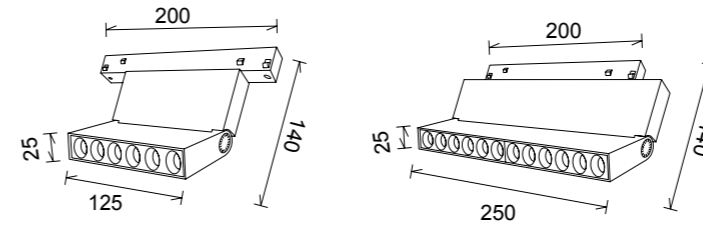
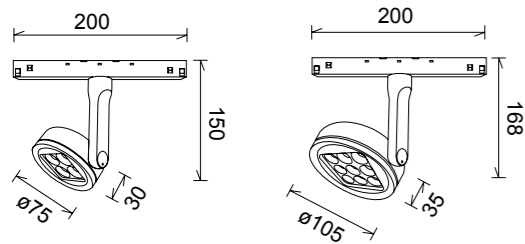
REFERENCE	K	LED WATT	BEAM ANGLE	LUMENS	FINISH	
New 8328	3000K	7W	38°	560lm	Negro-Black	On-off
New 8384	3000K	7W	38°	560lm	Oro-Gold	On-off
New 8345	3000K	7W	38°	560lm	Negro-Black	Dimmable 
New 8388	3000K	7W	38°	560lm	Oro-Gold	Dimmable 
				48V CRI≥ 90	Aluminio-Aluminium	







REFERENCE	K	LED WATT	BEAM ANGLE	LUMENS	FINISH	
New 8315	3000K	5W	50°	400lm	Negro-Black	On-off
New 8381	3000K	5W	50°	400lm	Oro-Gold	On-off
New 8316	3000K	7W	38°	560lm	Negro-Black	On-off
New 8382	3000K	7W	38°	560lm	Oro-Gold	On-off
New 8317	3000K	20W	38°	1600lm	Negro-Black	On-off
New 8332	3000K	5W	50°	400lm	Negro-Black	Dimmable 
New 8385	3000K	5W	50°	400lm	Oro-Gold	Dimmable 
New 8333	3000K	7W	38°	560lm	Negro-Black	Dimmable 
New 8386	3000K	7W	38°	560lm	Oro-Gold	Dimmable 
New 8334	3000K	20W	38°	1600lm	Negro-Black	Dimmable 
				48V CRI≥ 90	Aluminio-Aluminium	



# MAGNETO 48V

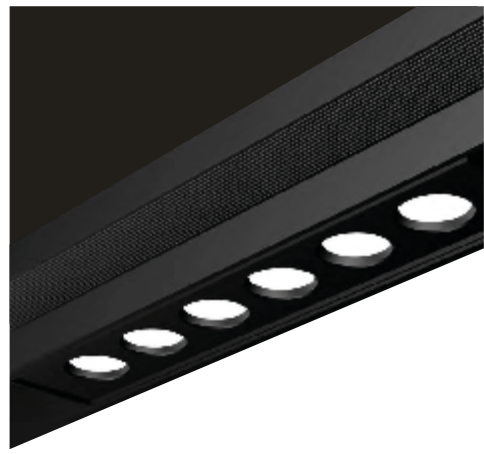


REFERENCE	K	LED WATT	BEAM ANGLE	LUMENS	FINISH	
New 8325	3000K	10W	50°	800lm	Negro-Black	On-off
New 8326	3000K	20W	50°	1600lm	Negro-Black	On-off
New 8342	3000K	10W	50°	800lm	Negro-Black	Dimmable 
New 8343	3000K	20W	50°	1600lm	Negro-Black	Dimmable 
				48V CRI≥ 90	Aluminio-Aluminium	

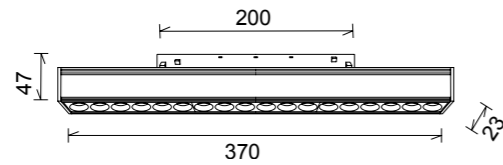
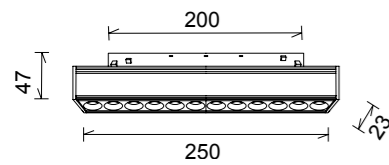
REFERENCE	K	LED WATT	BEAM ANGLE	LUMENS	FINISH	
New 8323	3000K	10W	50°	800lm	Negro-Black	On-off
New 8324	3000K	20W	50°	1600lm	Negro-Black	On-off
New 8340	3000K	10W	50°	800lm	Negro-Black	Dimmable 
New 8341	3000K	20W	50°	1600lm	Negro-Black	Dimmable 
				48V CRI≥ 90	Aluminio-Aluminium	





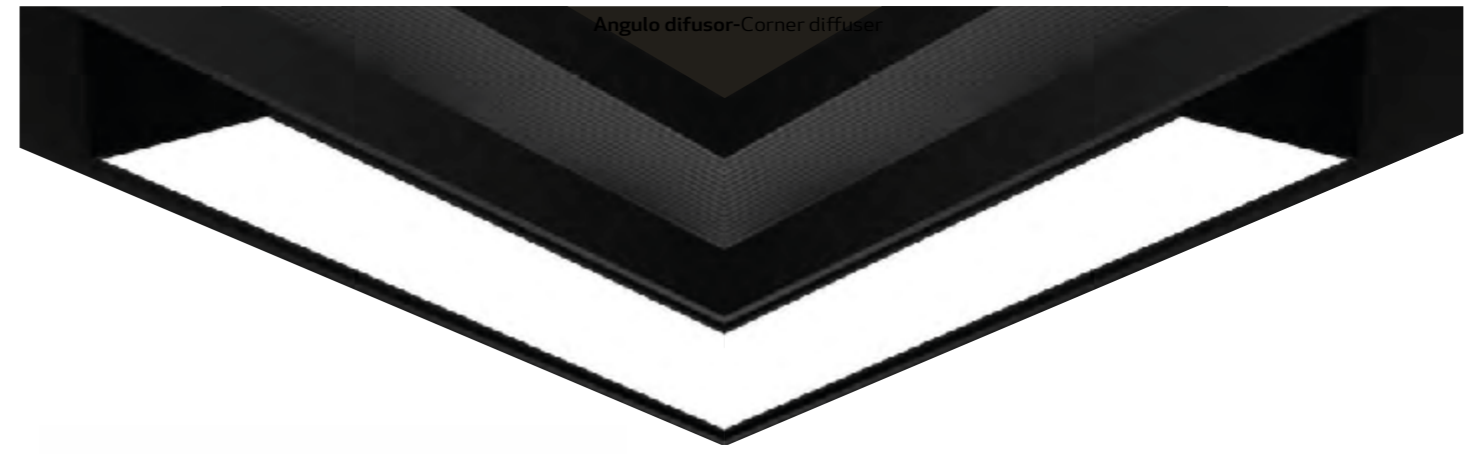




Modulo lineal COB-Linear light diffuser



REFERENCE	K	LED WATT	BEAM ANGLE	LUMENS	FINISH	
New 8320	3000K	12W	50°	960lm	Negro-Black	On-off
New 8321	3000K	18W	50°	1440lm	Negro-Black	On-off
New 8337	3000K	12W	50°	960lm	Negro-Black	Dimmable 
New 8338	3000K	18W	50°	1440lm	Negro-Black	Dimmable 
				48V CRI≥ 90	Aluminio-Aluminium	



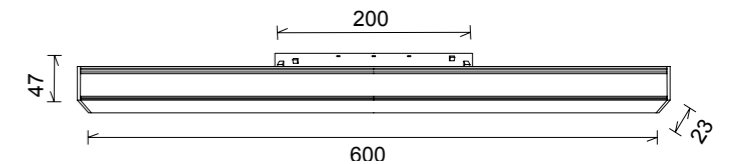
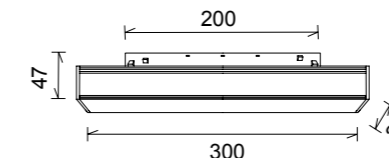
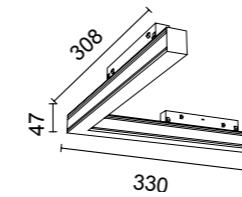
Angulo difusor-Corner diffuser






8322-8339

8318-8335

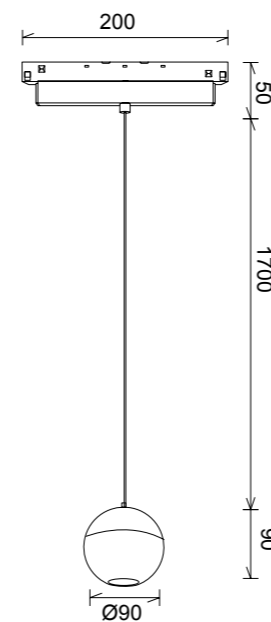
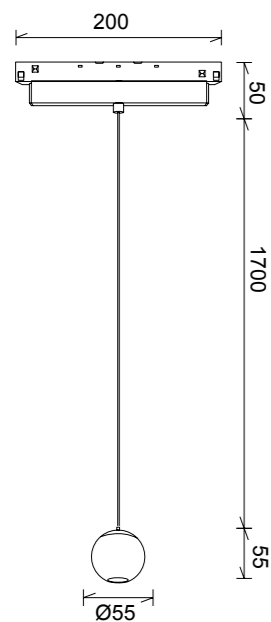
8319-8336



REFERENCE	K	LED WATT	BEAM ANGLE	LUMENS	FINISH	
New 8322	3000K	16W	120°	1280lm	Negro-Black	On-off
New 8339	3000K	16W	120°	1280lm	Negro-Black	Dimmable 
New 8318	3000K	8W	120°	640lm	Negro-Black	On-off
New 8319	3000K	16W	120°	1280lm	Negro-Black	On-off
New 8335	3000K	8W	120°	640lm	Negro-Black	Dimmable 
New 8336	3000K	16W	120°	1280lm	Negro-Black	Dimmable 
				48V CRI≥ 90	Aluminio-Aluminium	



# MAGNETO 48V





REFERENCE	K	LED WATT	BEAM ANGLE	LUMENS	FINISH		
New 8327	3000K	7W	38°	560lm	Negro-Black	On-off	
New 8383	3000K	7W	38°	560lm	Oro-Gold	On-off	
New 8344	3000K	7W	38°	560lm	Negro-Black	Dimmable	
New 8387	3000K	7W	38°	560lm	Oro-Gold	Dimmable	
				48V CRI≥ 90	Aluminio-Aluminium		



REFERENCE	K	LED WATT	BEAM ANGLE	LUMENS	FINISH		
New 8441	3000K	10W	110°	800lm	Negro-Black	On-off	
New 8442	3000K	10W	110°	800lm	Oro-Gold	On-off	
New 8443	3000K	10W	110°	800lm	Negro-Black	Dimmable	
New 8444	3000K	10W	110°	800lm	Oro-Gold	Dimmable	
				48V CRI≥ 90	Aluminio-Aluminium		

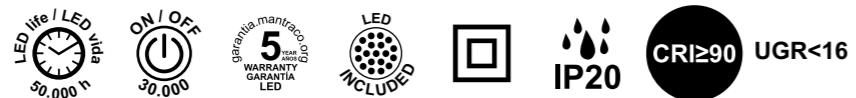


# MAGNETO 48V



REFERENCE	K	LED WATT	BEAM ANGLE	LUMENS	FINISH	
New 8389	3000K	12W	38°	950lm	Negro-Black	On-off
New 8390	3000K	12W	38°	950lm	Oro-Gold	On-off
New 8391	3000K	12W	38°	950lm	Negro-Black	Dimmable 
New 8392	3000K	12W	38°	950lm	Oro-Gold	Dimmable 
				48V CRI≥ 90	Aluminio-Aluminium	

REFERENCE	K	LED WATT	BEAM ANGLE	LUMENS	FINISH	
New 8329	3000K	5W	38°	400lm	Negro-Black	On-off
New 8346	3000K	5W	38°	400lm	Negro-Black	Dimmable 
New 8445	3000K	7W	38°	560lm	Oro/Negro-Gold/black	On-off
New 8446	3000K	7W	38°	560lm	Oro/Negro-Gold/black	Dimmable 
				48V CRI≥ 90	Aluminio-Aluminium	

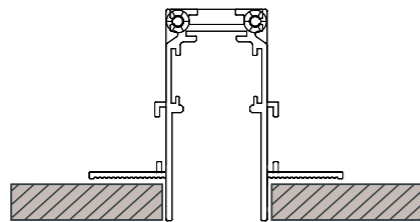


## Carril de empotrar-*Recessed track*



Los carriles empotrados permiten una fusión total, creando infinitas soluciones para la iluminación de espacios interiores, con el refinamiento y la discreción de un sistema que ofrece un diseño moderno, minimalista y sereno.

The recessed rails allow a total fusion, creating unlimited solutions for the lighting of interior spaces, with the refinement and discretion of a system that offers a modern, minimalist and serene design.

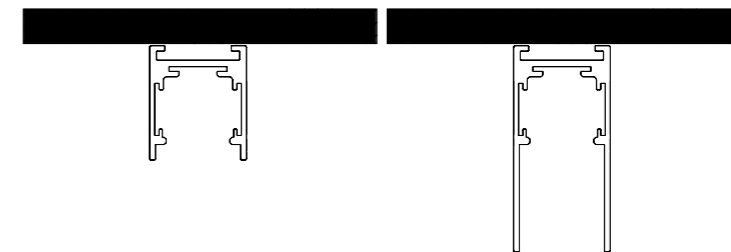


## Carril de superficie-*Surface mounted track*



Los carriles de superficie son soluciones diseñadas para cualquier zona de instalación. Su particular diseño lo convierte en protagonista absoluto del espacio.

Surface rails are solutions designed for any installation area. Its particular design makes it the absolute protagonist of the space.

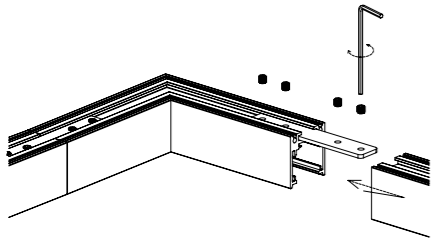


# MAGNETO 48V

## SURFACE TRACK

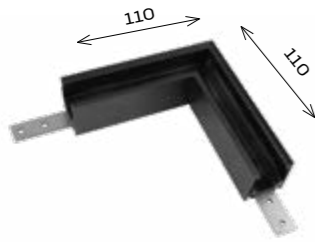
**8300** Track length 1000 mm

**8301** Track length 2000 mm

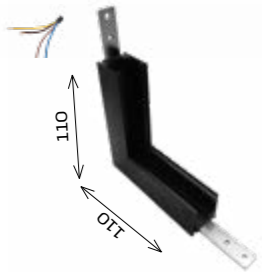


## TRACK ACCESSORIES

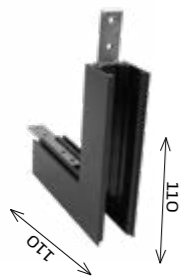
**8304** L-joint 90° plates incl.



**8305** Wall to wall connector (in) plates incl.



**8306** Wall to wall connector (out) plates incl.



**8303** Top track connection plate



**8314** Live end (connector)



**8313** Live end (feeder)



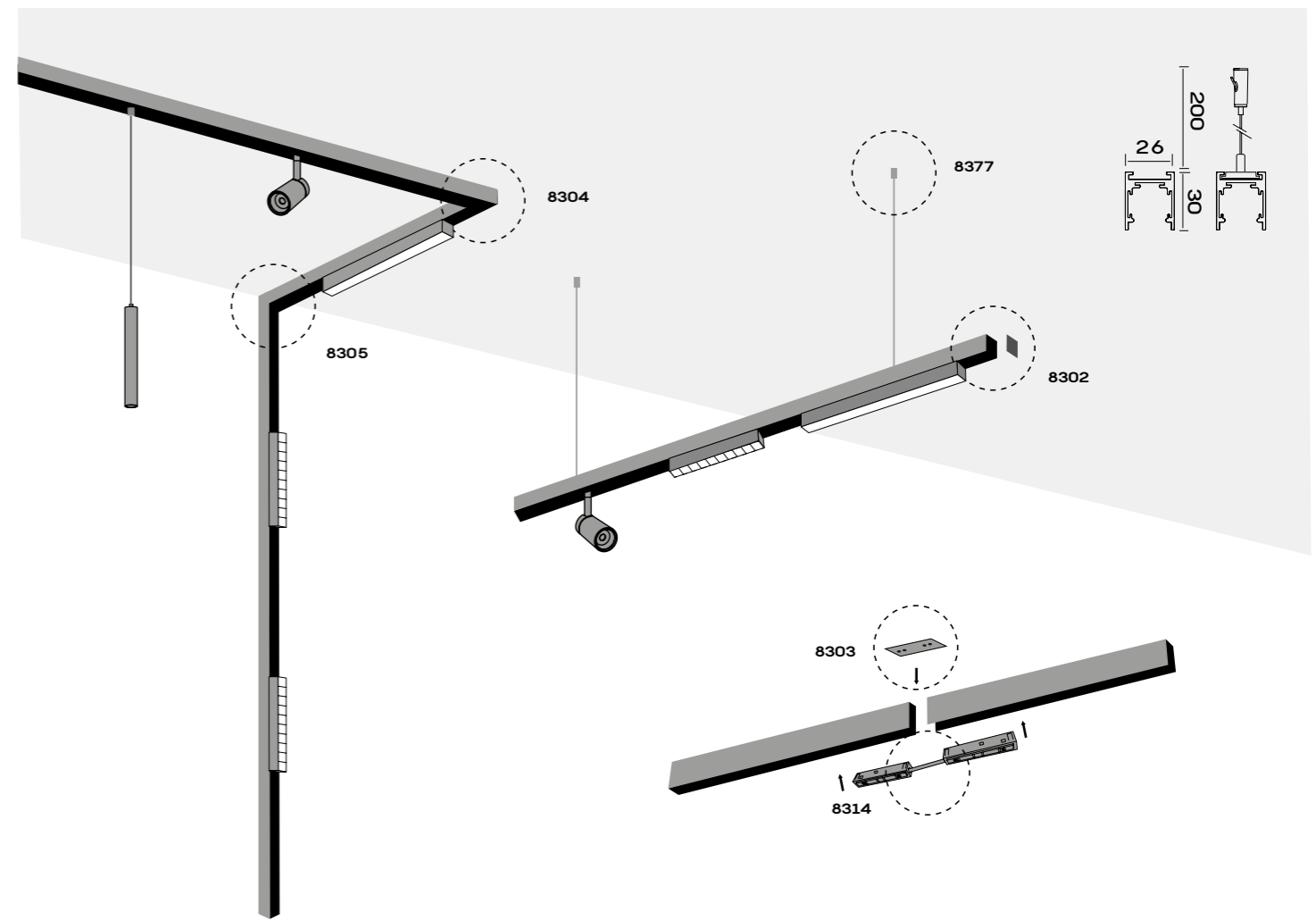
**8302** Set 2 end caps



**8377** Suspension kits (2 wires)



Brown +48V  
 Blue -48V

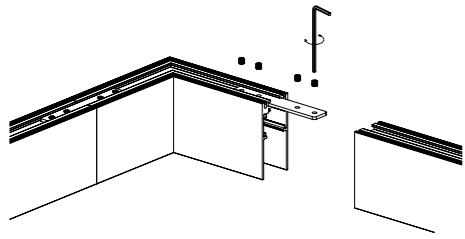


# MAGNETO 48V

## SURFACE TRACK

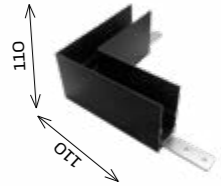
8371 Track length 1000 mm

8372 Track length 2000 mm

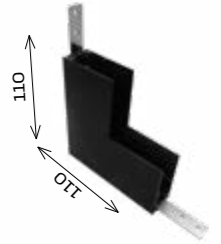


## TRACK ACCESSORIES

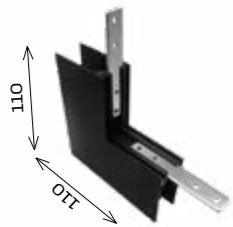
8374 L-joint 90° plates incl.



8375 Wall to wall connector (in) plates incl.



8376 Wall to wall connector (out) plates incl.



8303 Top track connection plate



8314 Live end (connector)



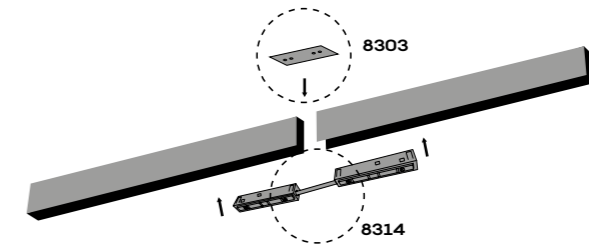
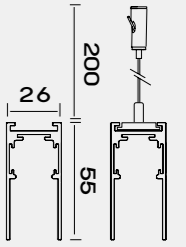
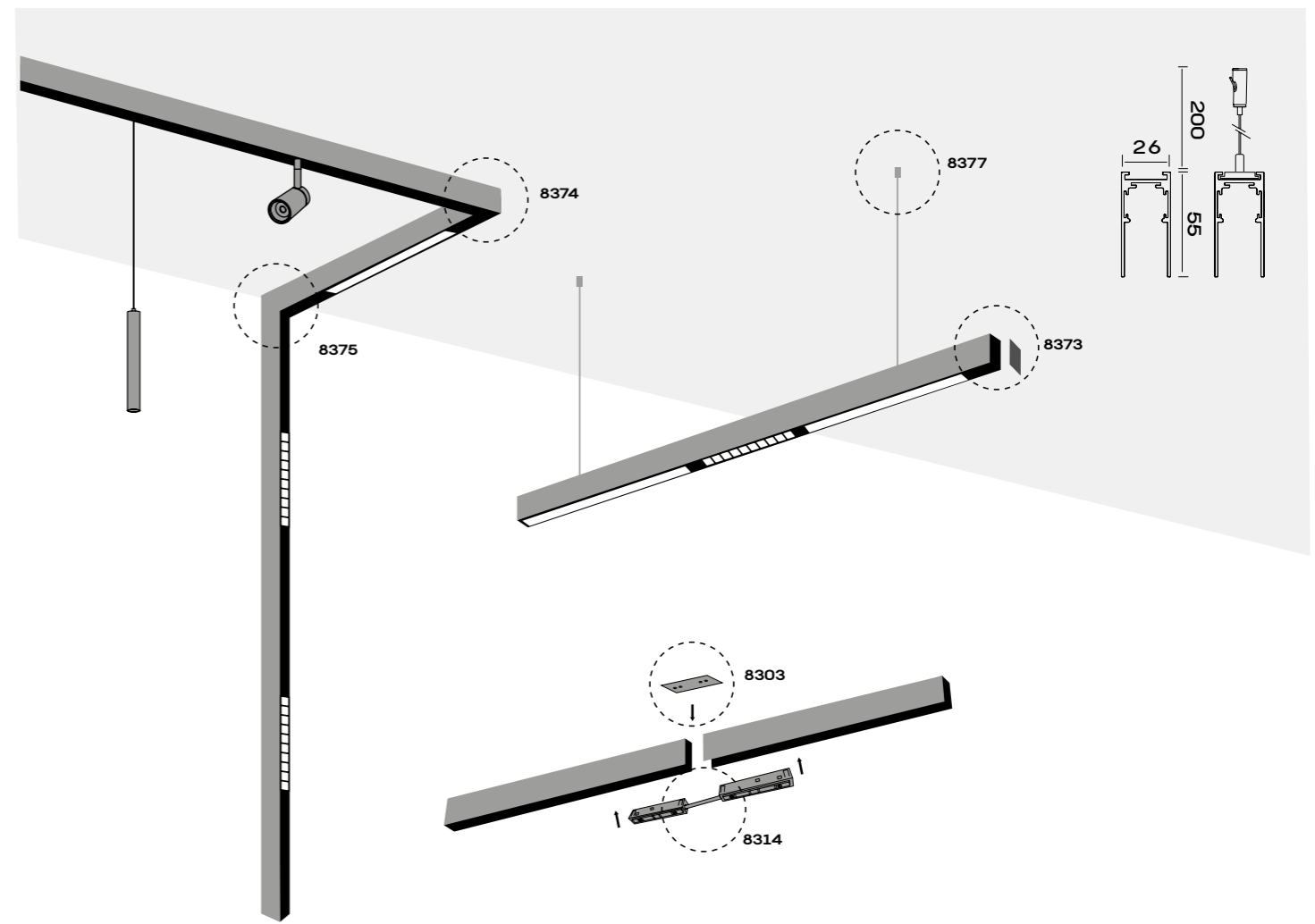
8313 Live end (feeder)



8373 Set 2 end caps



8377 Suspension kits (2 wires)



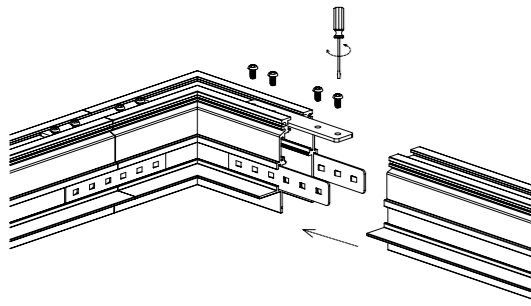
\* Tapa incluida-Cover included

# MAGNETO 48V

## RECESSED TRACK

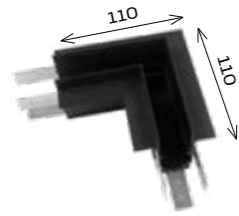
**8307** Track length 1000 mm

**8308** Track length 2000 mm

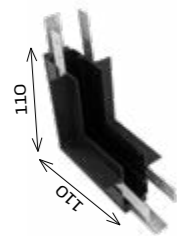


## TRACK ACCESSORIES

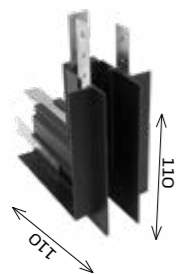
**8309** L-joint 90° plates incl.



**8310** Wall to wall connector (in) plates incl.



**8311** Wall to wall connector (out) plates incl.



**8312** Side track connection plate ×2



**8303** Top track connection plate



**8314** Live end (connector)



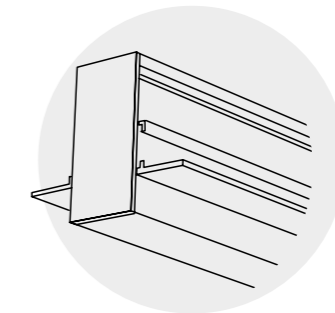
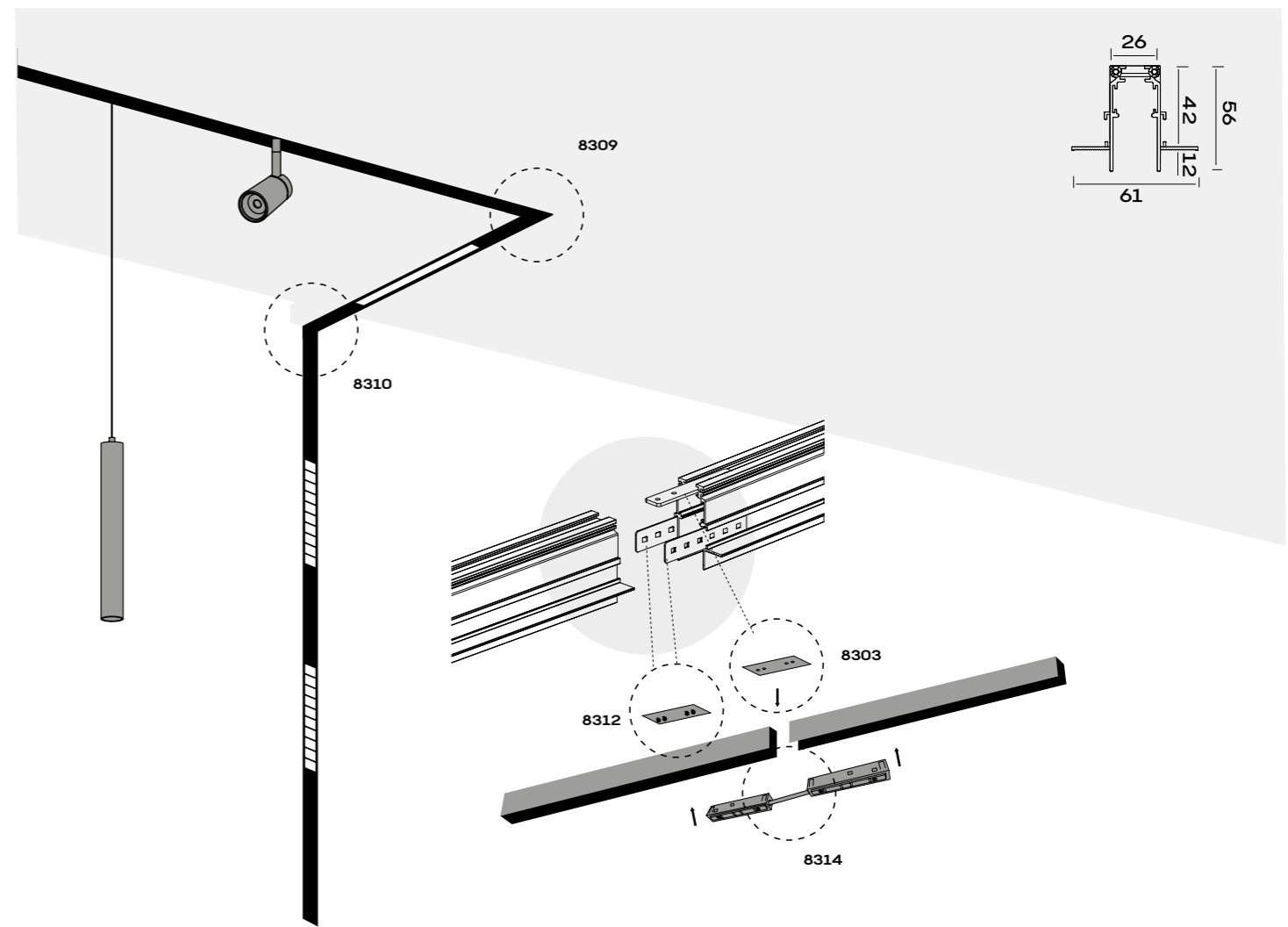
**8313** Live end (feeder)



Brown +48V

Blue -48V

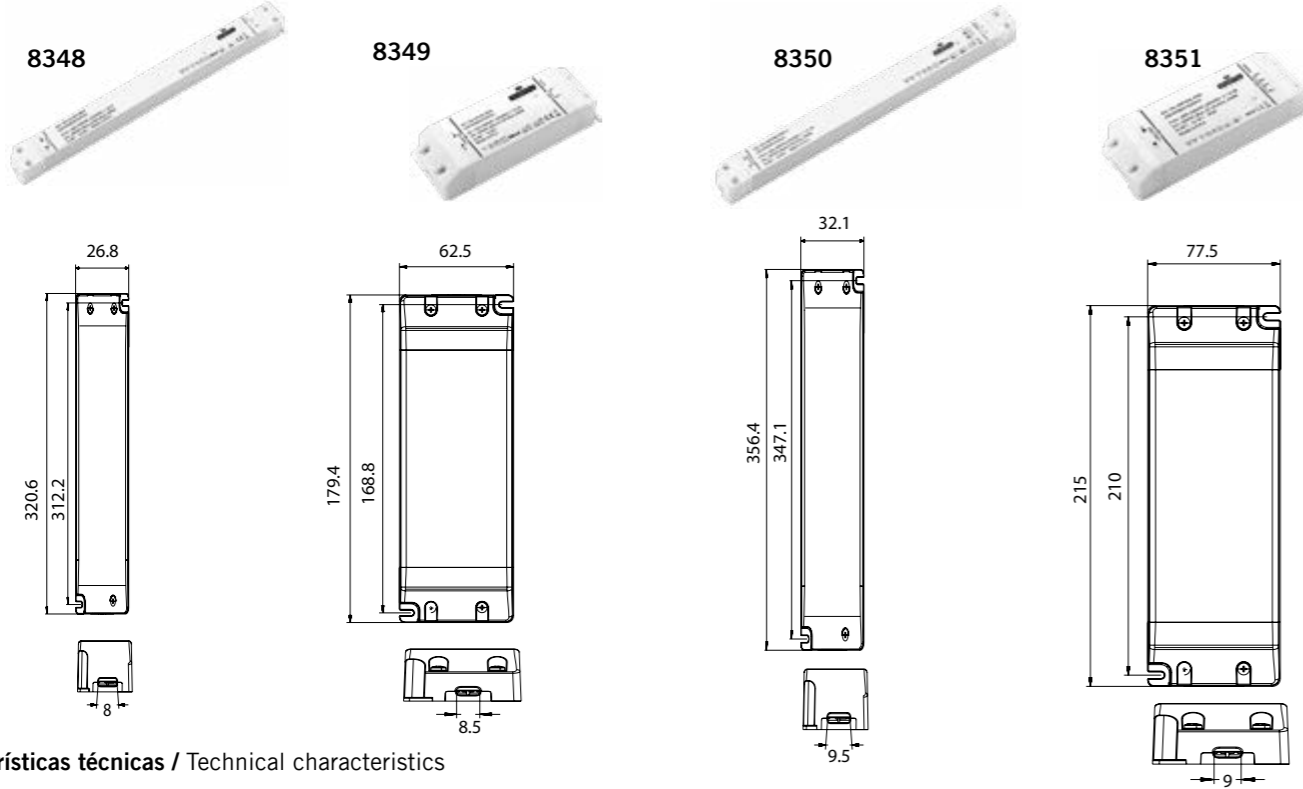
**8373** Set 2 end caps



\* Tapa incluida-Cover included

# ALIMENTADORES-DRIVERS

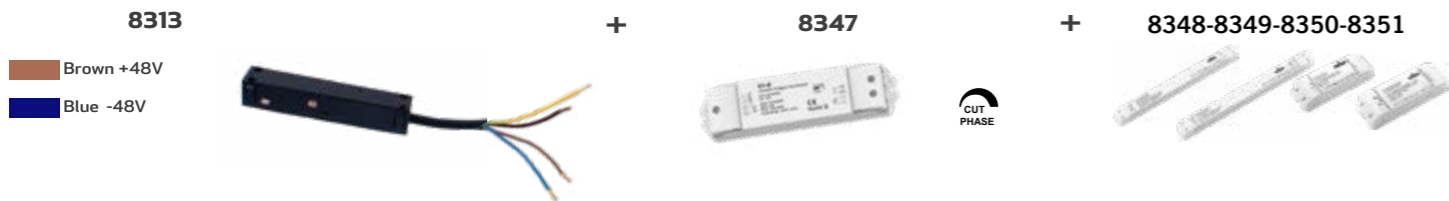
Tension constante 48v  
48v Constant voltage



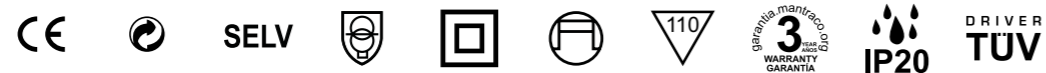
Características técnicas / Technical characteristics

Ref.	Art.-No	Tensión nominal de entrada Nominal input voltage	Rango de potencia en módulo Output power range	Tensión de salida DC Output voltage DC	Corriente de salida máxima Maximum output current	Factor de potencia Power factor	Frecuencia Frequency	Temp. máx. envolvente Max temp. at tc point	Temp. funcionamiento Operating temp.	Protección Protection
		Vac	W	Vdc	A	$\lambda$	Hz	tc (°C)	ta (°C)	IP
8348	SL100-48VF-1	200-240V	0-100	48	2.05	$\geq 0,95$	50/60	90°	-20...+45°	20
8349	SS150-48VL	200-240V	0-150	48	3.12	$\geq 0,95$	50/60	90°	-20...+45°	20
8350	SL240-48VF	220-240V	0-240	48	5.00	$\geq 0,95$	50/60	90°	-20...+45°	20
8351	SNP320-48VL-1	220-240V	0-320	48	6.67	$\geq 0,95$	50/60	90°	-20...+45°	20

## REGULABLE/DIMMABLE

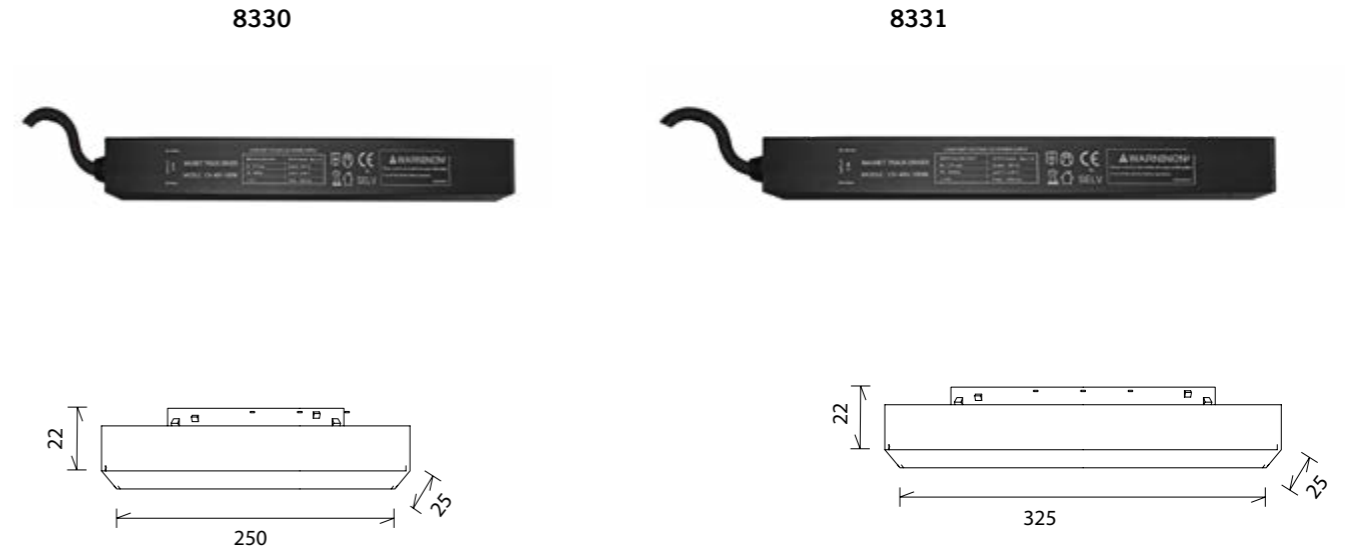


## NO REGULABLE/NO DIMMABLE



# ALIMENTADORES-DRIVERS

Tension constante 48v  
48v Constant voltage



Características técnicas / Technical characteristics

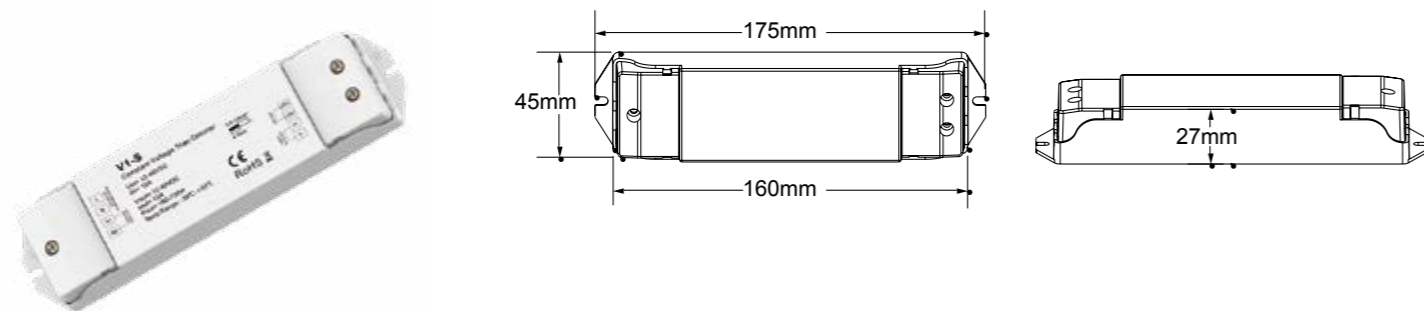
Ref.	Art.-No	Tensión nominal de entrada Nominal input voltage	Rango de potencia en módulo Output power range	Tensión de salida DC Output voltage DC	Corriente de salida máxima Maximum output current	Factor de potencia Power factor	Frecuencia Frequency	Temp. máx. envolvente Max temp. at tc point	Temp. funcionamiento Operating temp.	Protección Protection
		Vac	W	Vdc	A	$\lambda$	Hz	tc (°C)	ta (°C)	IP
8330		220-240V	0-100	48	1.25	$\geq 0,95$	50/60	85°	-20...+45°	20
8331		200-240V	0-200	48	2.5	$\geq 0,7$	50/60	80°	-20...+50°	20





SISTEMA REGULACIÓN TENSIÓN CONSTANTE TRIAC 48v  
48v CONSTANT VOLTAGE DIMMING TRIAC SYSTEM

V1-S



Permite la regulación de tiras led monocolor (12/24/36V) y carriles magnéticos de 48V.

Puede regular con mecanismos TRIAC y mecanismos pulsadores standard (PUSH).

Puedes conectar varios al mismo mecanismo PUSH; puedes conectar un PUSH y un TRIAC al mismo tiempo.

máx.entrada: 15A / máx.salida: 1 canal de 15A.

Protección contra sobrecargas eléctricas, cortocircuitos y sobrecalentamiento.

Señal entrada regulador AC 40-220v.

Allows to control single color LED strips (12/24/36 V) and 48V magnetic tracks.

Suitable for TRIAC controllers and standard PUSH switches.

You may connect several to the same PUSH switch; also you may connect PUSH switch and TRIAC dimmer at the same time.

max.Input: 15A / max.Output : 1 channel -15A.

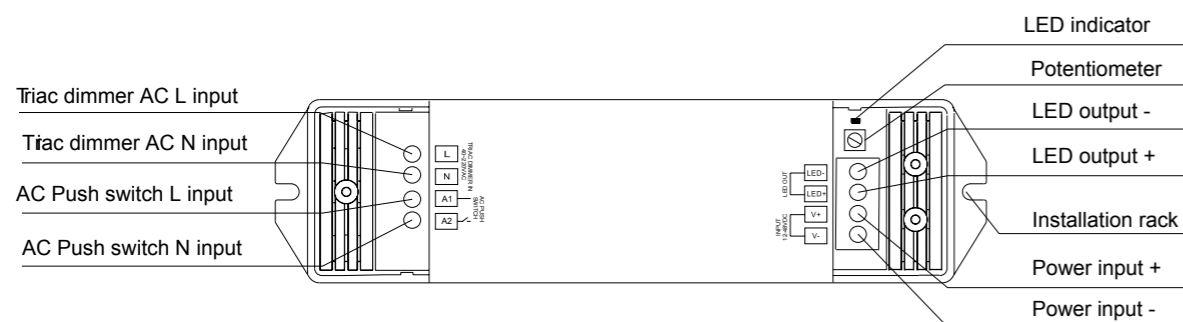
Protection against over current, short circuit & over temperature

Input dimmig signal AC 40-220v.

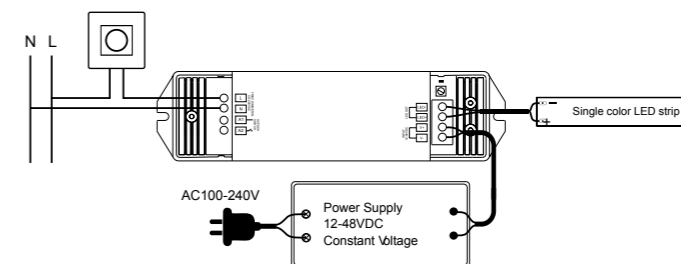
Esquema de conexión / Connection diagram

Ref.	Input-output Voltage	Tipo de regulación Control signal	Intensidad máx. de salida Max output current	Potencia máx. de salida Max output power	Tipo tira Led/magnetic Led strip type/magnetic	Control a través de Control made by
	V	mA	A	12V 24V 36V 48V	Monocolor	Pulsador standard y/o triac
8347	12-48VDC	PWM PUSH TRIAC	1CH,15A	180W 360W 540W 720W	MONOC. DIM (1CH)	Standard push switch and/or triac

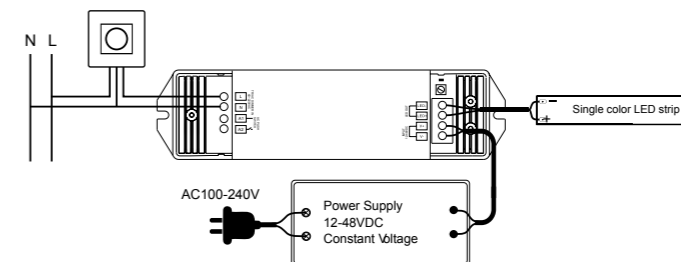
Estructuras e Instalaciones Mecánicas / Mechanical Structures and Installations



Conecte el atenuador Triac con un solo cable, sin cable neutro.  
Connect single wire Triac dimmer, without neutral wire.



Conecte el atenuador Triac con entrada de cable neutro  
Connect Triac dimmer with neutral wire input



Conectar con el interruptor Push de CA  
Connect with AC push switch

